



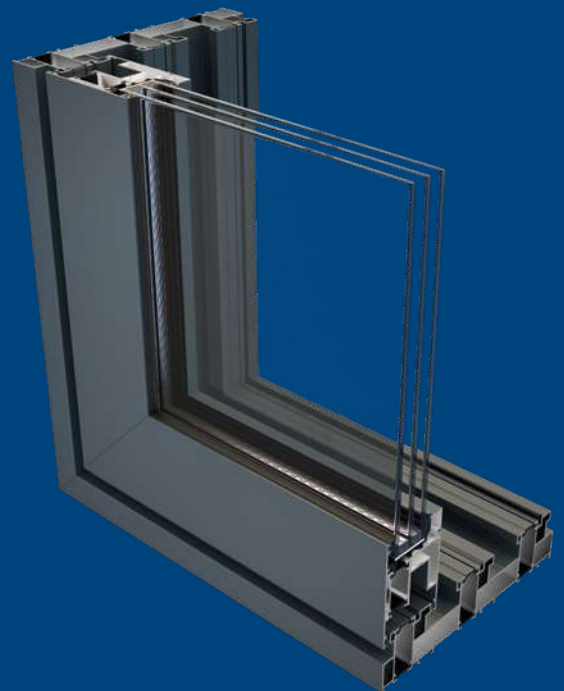
**smart**  
architectural aluminium

## Ultraglide

Ultraglide is a flexible, high performance, contemporary system which features large sash sizes (up to 3 metres high), making it ideal for even the most demanding applications.

Available in dual colour and with a highly efficient thermal break, Ultraglide delivers outstanding, long-lasting performance for enhanced comfort and economy.

- U Values as low as 1.5 W/m<sup>2</sup>K (depending on sash size and glazing selected)
- Sash sizes up to 3m high, 2.5m wide
- Kitemarked and security tested to PAS 24
- Sliding or lift & slide options available
- Glazing thickness 6mm to 53mm
- Monorail option
- Single or dual colour finish, marine quality
- Colour matched accessories available



BES 668681



FM21582



EMS554307



OHS571955



ENMS634370



# Ultraglide

Ultraglide is the perfect sliding door where large openings are required, with the system maximising light and space in any area.

The system is perfect for new and refurbishment projects, both for private residential properties and commercial projects. Available in both single and dual colour formats, with a wide range of standard and non-standard finishes to select from our extensive colour palettes, and the option of colour matched accessories, the system can be tailored to meet the specific requirements of each individual project.

The robust Ultraglide profiles have been designed with contemporary styling, featuring attractive square edge sections, while the polyamide thermal break provides superior thermal performance.

Fully compliant with the requirements of Building Regulations Document L 2010, Ultraglide doors feature high-security glazing and robust locking mechanisms (including multi-point locks on the main opening sashes), with the Kitemarked system fully meets the requirements of PAS 24.



## Why choose a sliding door?

- ◆ Large uninterrupted expanse of glass
- ◆ Open and close in line, rather than encroaching on the room
- ◆ Multi-pane systems allow up to 75% of the system's area to be open

## Technical Performance

<b>U Value</b>	1.5 W/m <sup>2</sup> K (when using a 0.7 W/m <sup>2</sup> K centre pane)
<b>Air</b>	Class 3
<b>Water</b>	Class 7A
<b>Wind</b>	AE2400PA

## Test Certification

<b>Enhanced Security</b>	PAS24: 2016
<b>BSI Kitemark</b>	KM 530838*
<b>Document L Compliant</b>	

<b>Design Limitations<sup>†</sup></b>	<b>2 Pane</b>	<b>3 Pane</b>	<b>Fixed Leaf</b>
<b>Max Sash Height</b>	3000mm	3000mm	3000mm
<b>Max Sash Width</b>	2500mm	2500mm	2500mm
<b>Max Sash Weight – Sliding</b>	250kg	250kg	N/A
<b>Max Sash Weight – Lift &amp; Slide</b>	400kg	400kg	N/A
<b>Glass</b>	up to 53mm		

\*Kitemark applies to sash heights up to 2.4m

†Maximum sash limitations must be within maximum weight requirements

